

PUNA hexapod

Simple and affordable hexapod



KEY FEATURES

- Payload capacity up to 25 kg
- Resolution 0.5 μm
- Linear travel range ± 30 mm
- Height in middle position 200 mm



APPLICATIONS

- Instrumentation
- Optics
- Testing laboratories
- Synchrotrons
- Aeronautics and spatial
- Metrology
- Semiconductors
- Automotive



Along our standard hexapods, we also offer customized versions. They can carry heavier payloads than a standard PUNA: 35 kg at a 45° orientation, 20 kg in horizontal orientation.

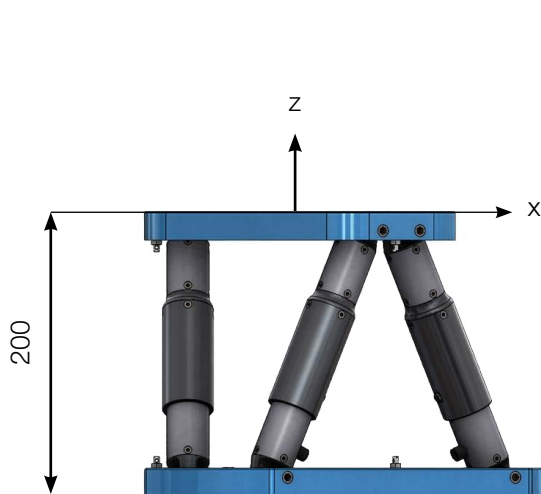


The diameter of this customized PUNA has been changed in order to maximize its central aperture. The application is mirror alignment.

PUNA	
Motion and positioning	
Travel range Tx, Ty (mm)	± 30
Travel range Tz (mm)	± 20
Travel range Rx, Ry (deg)	± 11
Travel range Rz (deg)	± 20
Resolution Tx, Ty, Tz (µm)	0.5
Resolution Rx, Ry, Rz (µrad)	5
Repeatability Tx, Ty, Tz (µm)	± 0.75
Repeatability Rx, Ry, Rz (µrad)	± 3.2
Speed Tx, Ty (mm/s)	3
Speed Tz (mm/s)	1.25
Speed Rx, Ry (deg/s)	1.25
Speed Rz (deg/s)	0.75
Mechanical properties	
Stiffness X, Y (N/µm)	1.75
Stiffness Z (N/µm)	30
Payload capacity (kg) (vertical orientation / horizontal orientation)	25 / 10
Motor type	DC
Miscellaneous	
Operating temperature range (°C)	0 to + 50
Materials	Aluminum, steel, stainless steel
Size mobile platform (mm)	Ø 250
Central aperture (mm)	Ø 100
Height in middle position (mm)	200
Mass (kg)	5.6
Cable length (m)	3
Options	Clean room compatibility Scalable size Hand-held control unit Heavier payload
Controller	
Controller type	NAOS or ALPHA+ if cable length > 10 m or temperature < 0°C
Interface	Ethernet
Power supply	110-240 VAC / 50-60 Hz

Datasheet subject to change without notice. All data are superseded by any new release. R211203

The performances are specified for single axis motions, with all other axes at midrange and for a rotation center in the middle of the mobile platform.



Hexapod in middle position

